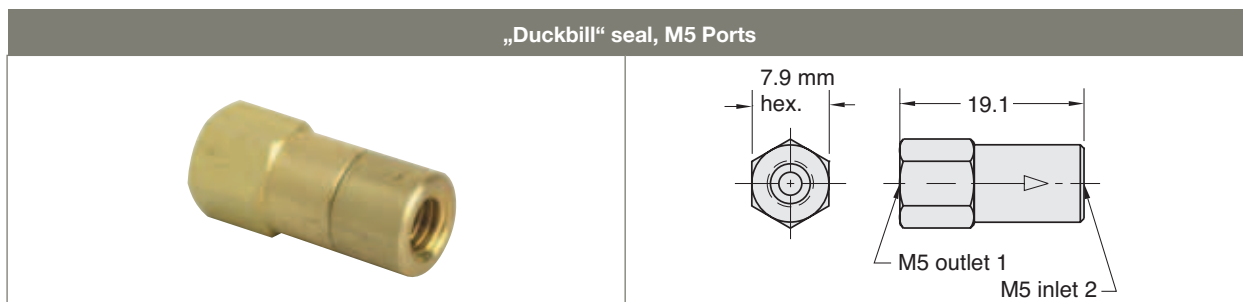
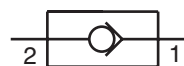


Part No.
M-MJCV-1

Air Flow:  
 565 L/min @ 3.5 bar;  
 1000 L/min @ 7 bar



Part No.
M-MCV-2



Medium:  
 Air

Input Pressure:  
 7 bar max.

Air Flow:  
 28 L/min @ 3.5 bar

Pressure to Crack:  
 70 mbar

Pressure to Fully Open:  
 170 mbar